



TA11025ML-1
TA11025ML-2

Features

Size: 110×110×25mm(4.33×4.33×1.0in)

Frame: Aluminum Painted&Plasic UL94V-0

Impeller: Reinforced Plastic UL94V-0

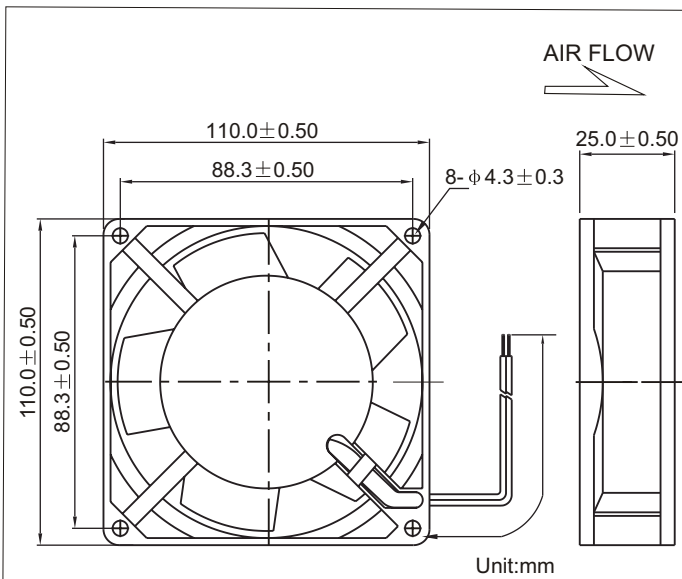
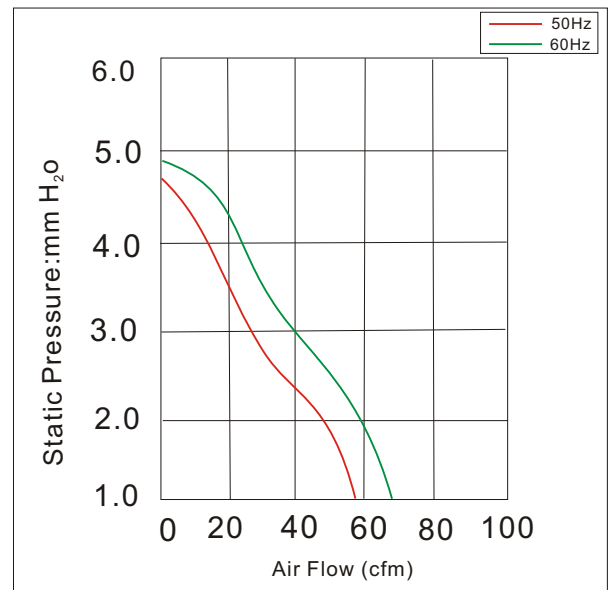
Bearings: Ball Bearing&Sleeve Bearing

Life Expectancy:50,000 Hours at 20°C-Ball
30,000 Hours at 20°C-Sleeve

Approvals: CE

Weight: 310g

Air Flow vs Air Pressure



Performance

Model	Part Number	Bearing System	Rated Voltage (V)	Operating Frequency (Hz)	Current (A)	Input Power (W)	Nominal Speed (R.P.M)	Air Flow (CFM)	Air Pressure (mm-H ₂ O)	Noise (dBA)
TA11025	TA11025MSL-1 TA11025MBL-1	Sleeve or Ball	110/120	50/60	0.16/0.15	17/16	2100/2400	47/52	0.13/0.14	31/34
TA11025	TA11025MSL-2 TA11025MBL-2	Sleeve or Ball	220/240	50/60	0.1/0.09	18/17	2100/2400	47/52	0.13/0.14	31/34

Product specification contained herein maybe changed without prior notice

It is there fore advisable to contact CNDF before proceeding with the design of equipment incorporating this product

ZheJiang DongFang Electromechanical co.,ltd(CNDF)

Add:No.268,Wei 12 Road,Yueqing Central Industrial Park,Wenzhou City,Zhejiang Province,China

Mobile/Whatsapp/WeChat:+86-18858867961 Email:grace@cndf.net Skype:cndf.sales2 Website:www.cndf.net