



TFB(S)12038H(M/L)12
 TFB(S)12038H(M/L)24
 TFB(S)12038H(M/L)48

Features

Size: 120×120×38mm(4.72×4.72×1.50in)

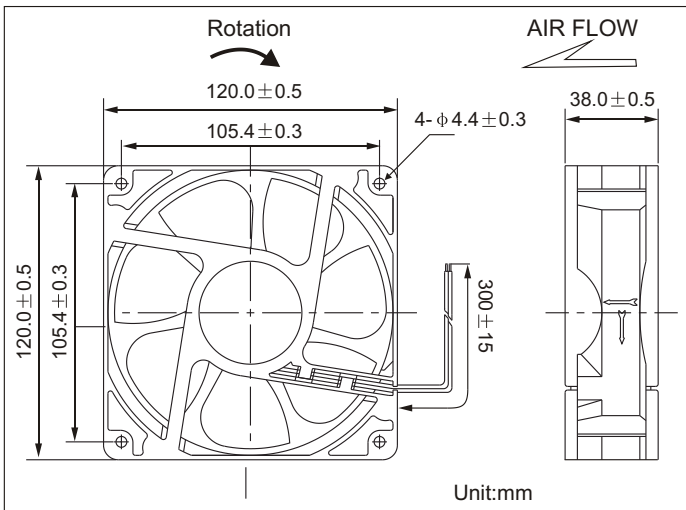
Frame/Impeller: Reinforced Plastic UL94V-0

Bearings: Ball Bearing&Sleeve Bearing

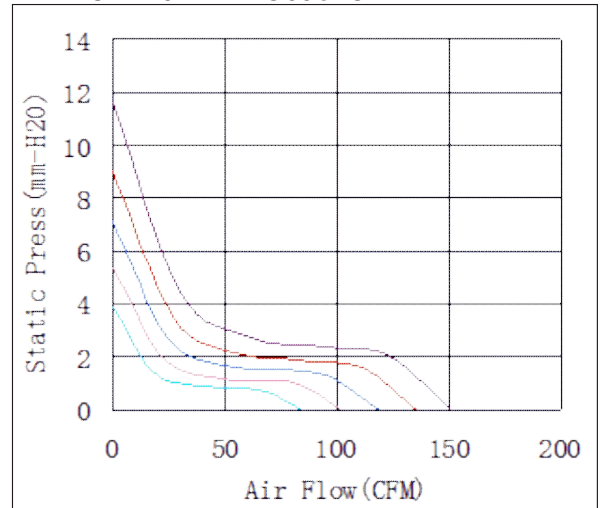
Life Expectancy: 50,000 Hours at 20°C-Ball
 30,000 Hours at 20°C-Sleeve

Approvals: CE

Weight: 265g



Air Flow vs Air Pressure



Performance

Model	Bearing System		Rated Voltage (V)	Current (A)	Input Power (W)	Nominal Speed (R.P.M)	Air Flow (CFM)	Air Pressure (mm-H ₂ O)	Noise (dBA)
	S	B							
TFB(S)12038L12	✓	✓	12	0.32	3.96	2000	84.50	3.94	33.80
TFB(S)12038M12	✓	✓	12	0.48	5.76	2500	101.30	5.41	39.10
TFB(S)12038H12	✓	✓	12	0.80	9.60	3000	118.70	7.14	43.80
TFB(S)12038HH12	✓	✓	12	0.93	11.16	3500	135.80	9.04	47.90
TFB(S)12038L24	✓	✓	24	0.22	5.28	2000	84.50	3.94	33.80
TFB(S)12038M24	✓	✓	24	0.31	7.44	2500	101.30	5.41	39.10
TFB(S)12038H24	✓	✓	24	0.40	9.60	3000	118.70	7.14	43.80
TFB(S)12038HH24	✓	✓	24	0.42	10.08	3500	135.80	9.04	47.90
TFB(S)12038L48	✓	✓	48	0.13	6.24	2500	101.30	5.41	39.10
TFB(S)12038M48	✓	✓	48	0.20	9.60	3500	118.70	7.14	43.80
TFB(S)12038H48	✓	✓	48	0.25	12.00	3000	135.80	9.04	47.90
TFB(S)12038HH48	✓	✓	48	0.32	15.36	4000	151.17	11.66	50.60

Product specification contained herein maybe changed without prior notice

It is there fore advisable to contact CNDF before proceeding with the design of equipment incorporating this product