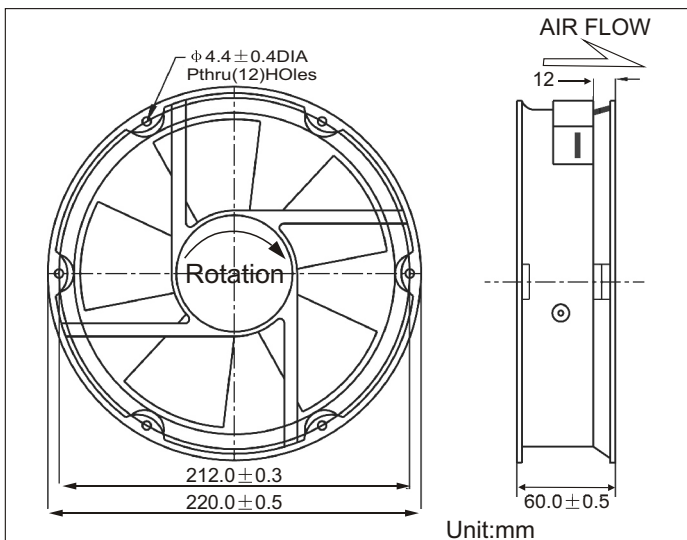




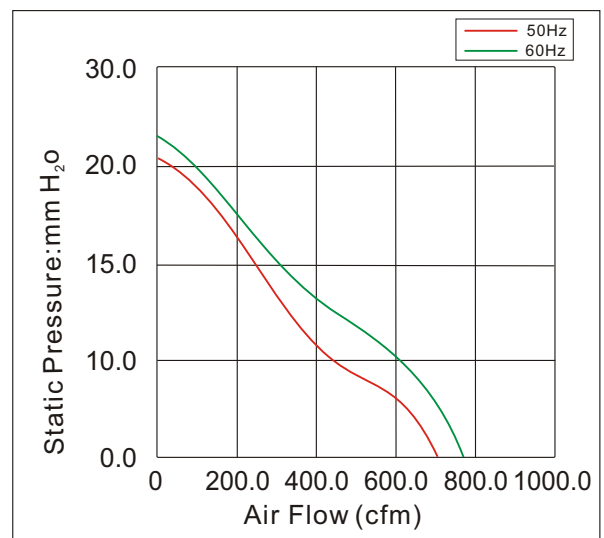
TA22060HL-1 TA22060HL-2

Features

- Size: 220×60mm(8.7×2.4in)
- Frame: Aluminum Painted&Plastic UL94V-0
- Impeller: Reinforced Plastic UL94V-0
- Bearings: Ball Bearing&Sleeve Bearing
- Life Expectancy:50,000 Hours at 20°C-Ball
30,000 Hours at 20°C-Sleeve
- Approvals:CE
- Weight: 1610g



Air Flow vs Air Pressure



Performance

Model	Part Number	Bearing System	Rated Voltage (V)	Operating Frequency (Hz)	Current (A)	Input Power (W)	Nominal Speed (R.P.M)	Air Flow (CFM)	Air Pressure (mm-H ₂ O)	Noise (dBA)
TA22060	TA22060HBL-1	Ball	110/120	50/60	0.80/1.20	65/85	2500/2600	285/296	0.65/0.68	60/64
TA22060	TA22060HBL-2	Ball	220/240	50/60	0.40/0.55	65/85	2500/2600	285/296	0.65/0.68	60/64

Product specification contained herein maybe changed without prior notice

It is there fore advisable to contact CNDF before proceeding with the design of equipment incorporating this product

ZheJiang DongFang Electromechanical co.,ltd(CNDF)

Add:No.268,Wei 12 Road,Yueqing Central Industrial Park,Wenzhou City,Zhejiang Province,China

Mobile/Whatsapp/WeChat:+86-18858867961 Email:grace@cndf.net Skype:cndf.sales2 Website:www.cndf.net