



TFB(S)2510H(M/L)05 TFB(S)2510H(M/L)12

Features

Size: 25×25×10mm(1.0×1.0×0.40in)

Frame/Impeller: Reinforced Plastic UL94V-0

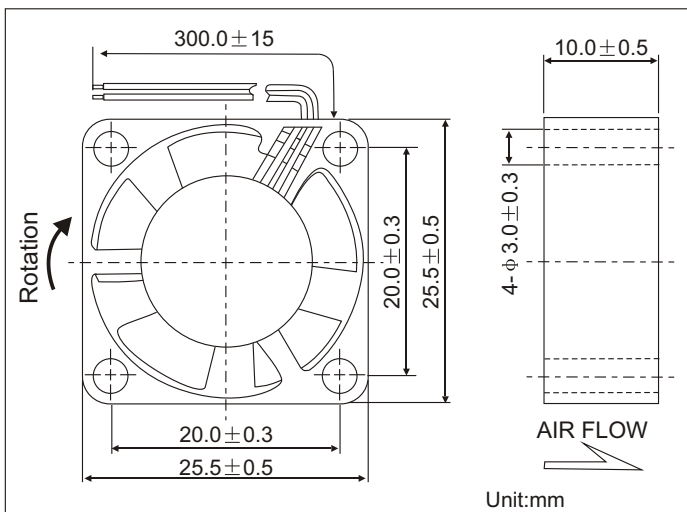
Bearings: Ball Bearing&Sleeve Bearing

Life Expectancy:50,000 Hours at 20°C-Ball

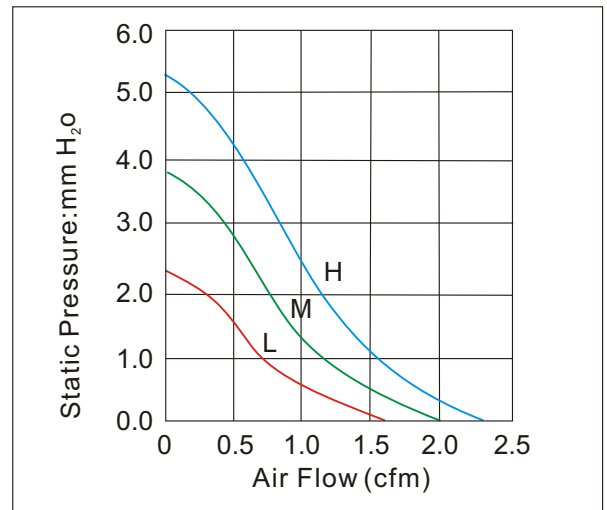
30,000 Hours at 20°C-Sleeve

Approvals: CE

Weight: 7g



Air Flow vs Air Pressure



Performance

| Model | Bearing System | | Rated Voltage (V) | Current (A) | Input Power (W) | Nominal Speed (R.P.M) | Air Flow (CFM) | Air Pressure (mm-H ₂ O) | Noise (dBA) |
|---------------|----------------|---|-------------------|-------------|-----------------|-----------------------|----------------|------------------------------------|-------------|
| | S | B | | | | | | | |
| TFB(S)2510L05 | ✓ | ✓ | 5 | 0.14 | 0.70 | 7000 | 1.22 | 4.18 | 21.5 |
| TFB(S)2510M05 | ✓ | ✓ | 5 | 0.16 | 0.80 | 10000 | 1.60 | 5.97 | 23.2 |
| TFB(S)2510H05 | ✓ | ✓ | 5 | 0.25 | 1.25 | 12000 | 2.11 | 5.25 | 29.25 |
| TFB(S)2510L12 | ✓ | ✓ | 12 | 0.05 | 1.44 | 7000 | 1.22 | 4.18 | 21.5 |
| TFB(S)2510M12 | ✓ | ✓ | 12 | 0.09 | 1.08 | 10000 | 1.60 | 5.97 | 23.2 |
| TFB(S)2510H12 | ✓ | ✓ | 12 | 0.12 | 1.44 | 12000 | 2.11 | 6.76 | 29.5 |

Product specification contained herein maybe changed without prior notice

It is there fore advisable to contact CNDF before proceeding with the design of equipment incorporating this product

ZheJiang DongFang Electromechanical co.,ltd(CNDF)

Add:No.268,Wei 12 Road,Yueqing Central Industrial Park,Wenzhou City,Zhejiang Province,China

Mobile/Whatsapp/WeChat:+86-18858867961 Email:grace@cndf.net Skype:cndf.sales2 Website:www.cndf.net