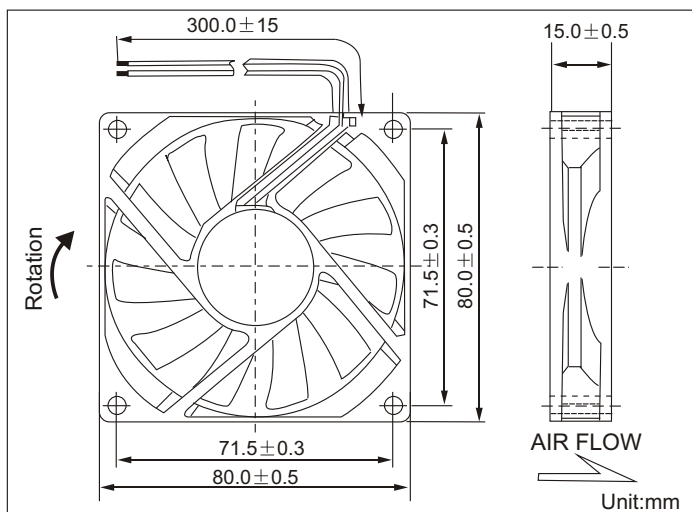




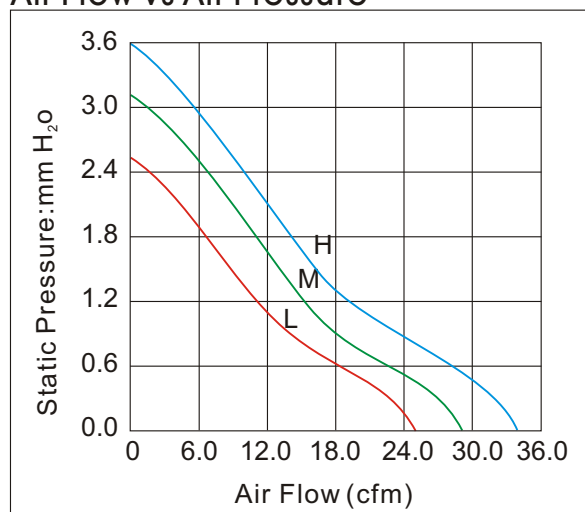
TFB(S)8015H(M/L)12 TFB(S)8015H(M/L)24

Features

Size: 80 × 80 × 15mm (3.15 × 3.15 × 0.57in)
 Frame/Impeller: Reinforced Plastic UL94V-0
 Bearings: Ball Bearing & Sleeve Bearing Life Expectancy: 50,000 Hours at 20
 30,000 Hours at 20 - Sleeve
 Certificate: CE
 Warranty: 2 years



Air Flow vs Air Pressure



Performance

Model	Bearing System		Rated Voltage (V)	Current (A)	Input Power (W)	Nominal Speed (R.P.M)	Air Flow (CFM)	Air Pressure (mm-H ₂ O)	Noise (dBA)
	S	B							
TFB(S)8015L12	✓	✓	12	0.10	1.20	2500	26.03	2.21	28.5
TFB(S)8015M12	✓	✓	12	0.16	1.92	3000	31.06	2.48	31.5
TFB(S)8015H12	✓	✓	12	0.22	2.64	3500	33.95	3.76	35.7
TFB(S)8015L24	✓	✓	24	0.07	1.68	2500	26.03	2.21	28.5
TFB(S)8015M24	✓	✓	24	0.10	2.40	3000	31.06	2.48	31.5
TFB(S)8015H24	✓	✓	24	0.15	3.60	3500	33.95	3.76	35.7

Product specification contained herein maybe changed without prior notice

It is there fore advisable to contact CNDF before proceeding with the design of equipment incorporating this product

ZheJiang DongFang Electromechanical co.,ltd(CNDF)

Add:No.268,Wei 12 Road,Yueqing Central Industrial Park,Wenzhou City,Zhejiang Province,China

Mobile/Whatsapp/WeChat:+86-18858867961 Email:grace@cnf.net Skype:cnf.sales2 Website:www.cndf.net