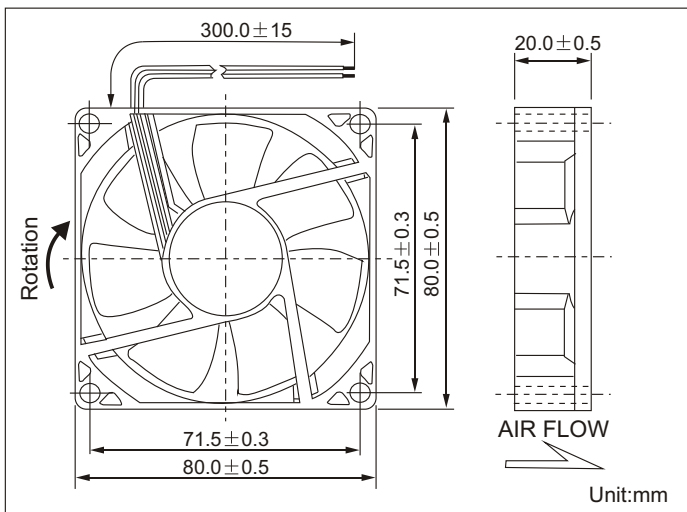




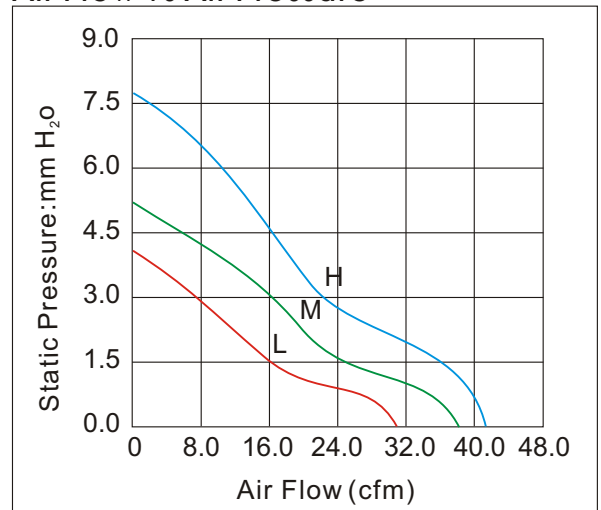
**TFB(S)8020H(M/L)12**  
**TFB(S)8020H(M/L)24**

**Features**

Size: 80×80×20mm(3.15×3.15×0.79in)  
 Frame/Impeller: Reinforced Plastic UL94V-0  
 Bearings: Ball Bearing&Sleeve Bearing  
 Life Expectancy:50,000 Hours at 20°C -Ball  
 30,000 Hours at 20°C -Sleeve  
 Approvals: CE  
 Weight: 70g



**Air Flow vs Air Pressure**



**Performance**

Model	Bearing System		Rated Voltage (V)	Current (A)	Input Power (W)	Nominal Speed (R.P.M)	Air Flow (CFM)	Air Pressure (mm-H <sub>2</sub> O)	Noise (dBA)
	S	B							
TFB(S)8020L12	✓	✓	12	0.12	1.44	2500	30.50	4.05	26
TFB(S)8020M12	✓	✓	12	0.18	2.16	3000	36.03	5.35	32
TFB(S)8020H12	✓	✓	12	0.24	2.88	3500	41.30	7.61	38
TFB(S)8020L24	✓	✓	24	0.08	1.92	2500	30.50	4.05	26
TFB(S)8020M24	✓	✓	24	0.10	2.40	3000	36.03	5.35	32
TFB(S)8020H24	✓	✓	24	0.14	3.36	3500	41.30	7.61	38

Product specification contained herein maybe changed without prior notice

It is there fore advisable to contact CNDF before proceeding with the design of equipment incorporating this product