



### ■ Features :

- Protections: Short circuit / Overload / Over voltage
- Cooling by free air convection
- 100% full load burn-in test
- LED indicator for power on
- 2 years warranty



### SPECIFICATION

MODEL		S-200-5(M)	S-200-12(M)	S-200-24(M)	S-200-36(M)	S-200-48(M)
OUTPUT	DC VOLTAGE	5VDC	12VDC	24VDC	36VDC	48VDC
	RATED CURRENT	40A	16.7A	8.5A	5.6A	4.2A
	CURRENT RANGE	0-40A	0-16.7A	0-8.5A	0-5.6A	0-4.2A
	RATED POWER	200W	200W	200W	200W	200W
	RIPPLE & NOISE (max.) Note.2	100mVP	100mVP	100mVP	150mVP	150mVP
	VOLTAGE RANGE	±2.0%	±1.0%	±1.0%	±1.0%	±1.0%
	HOLD UP TIME	30ms/230VAC (at full load)				
SETUP, RISE TIME	200ms,80ms/230VAC					
INPUT	VOLTAGE RANGE	170-264VAC				
	FREQUENCY RANGE	47 ~ 63Hz				
	EFFICIENCY (Typ.)	83%	85%	87%	87%	87%
	AC CURRENT (Typ.)	2.5A/230VAC				
	INRUSH CURRENT (Typ.)	COLD START ,50A/230V				
LEAKAGE CURRENT	<3.5mA / 240VAC					
PROTECTION	OVERLOAD	105 ~ 150% rated output power Protection type:Shut down o/p voltage,recovers automatically after fault condition is removed				
	OVER VOLTAGE	Protection type:Constant voltage limiting ,recovers automatically after fault condition is removed				
ENVIRONMENT	WORKING TEMP.	-10 ~ +60°C (Refer to output load derating curve)				
	WORKING HUMIDITY	20 ~ 90% RH non-condensing				
	STORAGE TEMP., HUMIDITY	-20 ~ +85°C, 10 ~ 95% RH				
	TEMP. COEFFICIENT	±0.03%/°C (0 ~ 50°C)				
VIBRATION	10 ~ 500Hz, 2G 10min./1cycle, 60min. each along X, Y, Z axes					
SAFETY & EMC (Note 4)	SAFETY STANDARDS	cOMPLIANCE TO ul60950-1				
	WITHSTAND VOLTAGE	I/P-O/P:3KVAC I/P-FG:1.5KVAC O/P-FG:0.5KVAC				
	ISOLATION RESISTANCE	I/P-O/P, I/P-FG, O/P-FG:100M Ohms / 500VDC / 25°C / 70% RH				
EMC STANDARDS	Compliance to EN55022 Class B,EN61000-6-1					
OTHERS	DIMENSION	199*110*50mm (L*W*H)				
	PACKING	0.8Kg; 16pcs/13.8Kg/0.95CUFT				
NOTE	<ol style="list-style-type: none"> <li>1. All parameters NOT specially mentioned are measured at 230VAC input, rated load and 25°C of ambient temperature.</li> <li>2. Ripple &amp; noise are measured at 20MHz of bandwidth by using a 12" twisted pair-wire terminated with a 0.1uf &amp; 47uf parallel capacitor.</li> <li>3. Tolerance : includes set up tolerance, line regulation and load regulation.</li> <li>4. The power supply is considered a component which will be installed into a final equipment. The final equipment must be re-confirmed that it still meets EMC directives.</li> <li>5. If the power supply is short-circuited under no load, it will recover automatically when short-circuit is removed.</li> </ol>					

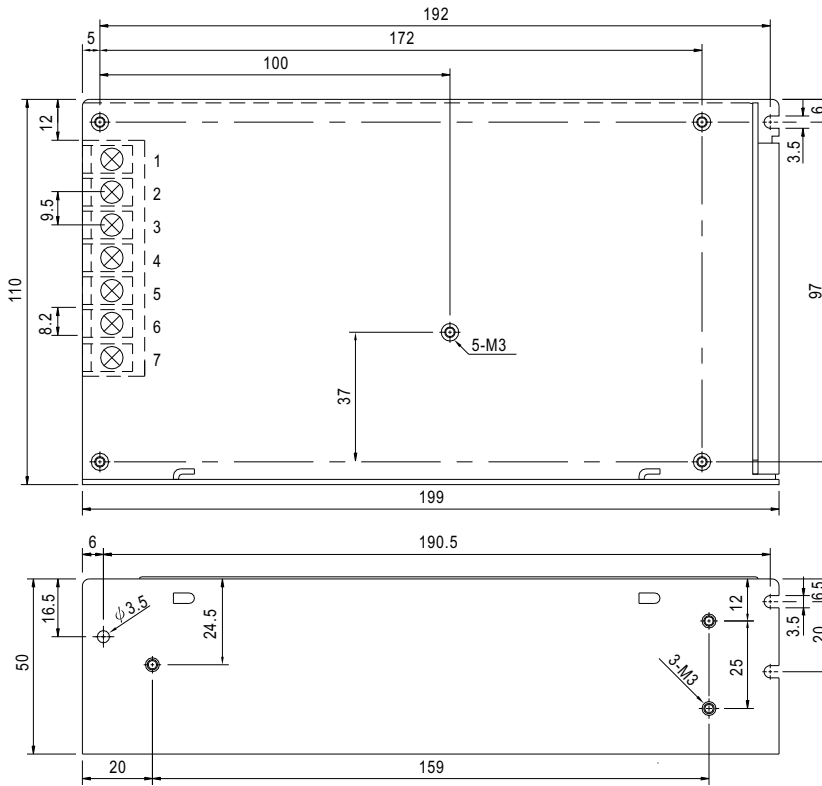
ZHEJIANG DONGFANG ELECTROMECHANICAL CO., LTD

Add: No.268, Wei 12 Road, Yueqing Central Industrial Park, Wenzhou, Zhejiang, 325600 China

Website: www.cndf.net E-mail: grace@cndf.net Tel:+86-18858867961 Fax:+86-577-62055288

### Mechanical Specification

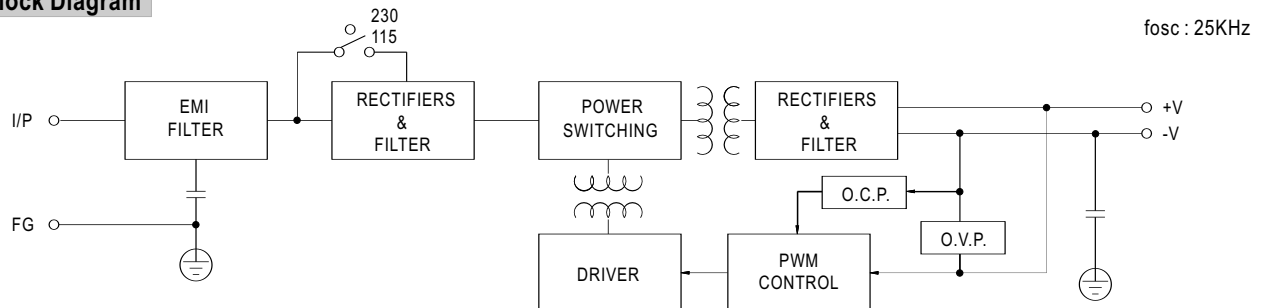
Case No. 906 Unit:mm



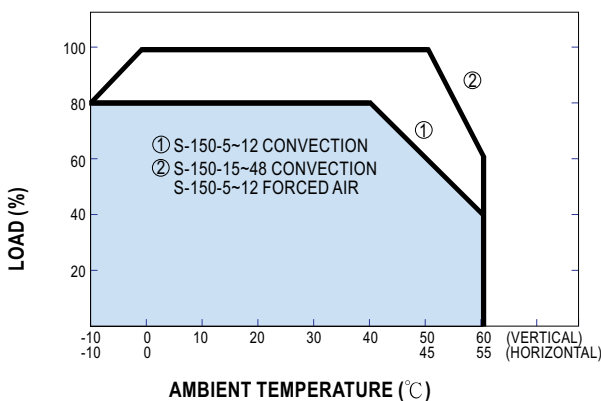
Terminal Pin No. Assignment

Pin No.	Assignment	Pin No.	Assignment
1	AC/L	4,5	DC OUTPUT -V
2	AC/N	6,7	DC OUTPUT +V
3	FG $\perp$		

### Block Diagram



### Derating Curve



### Static Characteristics (24V)

